

GEZE GLASS CLAMPING PLATES





GEZE GLASS CLAMPING PLATES

GEZE glass clamping plates 30 mm and 45 mm

Unobtrusive and easy to install for the GEZE sliding systems Rollan and Perlan

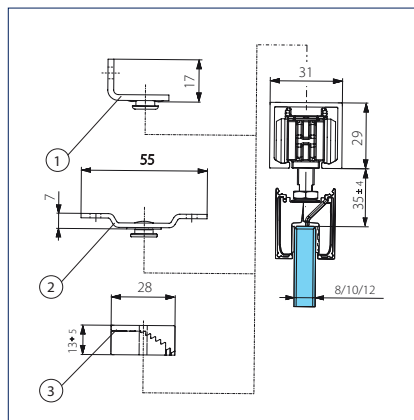
The GEZE glass clamping plates offer easier installation without the need for extensive glass processing. The complete cover for the suspension plates results in a continuous look. The clamping plate is available in silver-coloured EV1, stainless steel optic or RAL colours upon request. Since the gap between the clamping plate and track is hardly visible, there is no need for a cover to be mounted on site.

The glass clamping plate with an overall height of 30 mm for leaf weights of up to 80 kg is not visible when installed in a standard wall recess frame. Its length of only 110 mm makes it suitable for versatile use for almost all door widths. The glass clamping plate fits concealed under the clip-on cover 100 with GEZE Perlan AUT / Perlan AUT-NT, resulting in a complete system for automated glass doors.

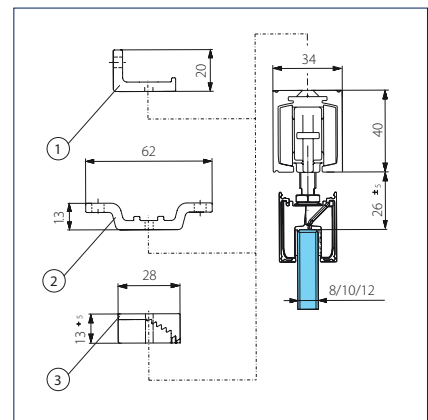
The glass clamping plate with an overall height of 45 mm bears leaf weights of up to 140 kg and of up to 80 kg with the Rollan system. It can be used for all standard glass thicknesses and can be adjusted to the respective glass thickness by means of the inner gearing parts. This makes installation and removal significantly easier.



GEZE glass clamping plate 30 mm



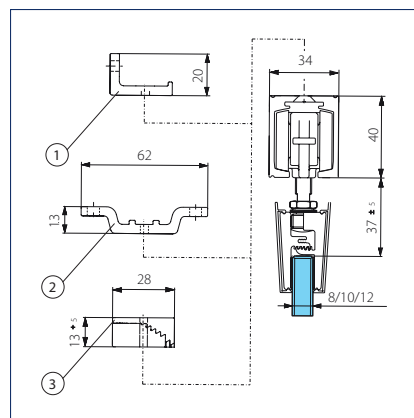
Rollan with glass clamping plate 30 mm
 1 = Wall bracket
 2 = Ceiling bracket
 3 = Height compensation mechanism



Perlan with glass clamping plate 30 mm
 1 = Wall bracket
 2 = Ceiling bracket
 3 = Height compensation mechanism



GEZE glass clamping plate 45 mm



Perlan with glass clamping plate 45 mm
 1 = Wall bracket
 2 = Ceiling bracket
 3 = Height compensation mechanism

APPLICATION RANGE

- For all GEZE sliding systems
- For toughened safety glass 8, 10, 12 mm as well as laminated safety glass up to 12.76 mm with additional laminated safety glass adhesive kit (without glass processing)
- Glass clamping plate 30 mm for leaf weights of up to 80 kg
- Glass clamping plate 45 mm for leaf weights of up to 140 kg or to the permissible maximum weight of the respective fitting system

ORDER INFORMATION

Description	Length	Version	ID No.
Glass clamping plate 30 mm set, continuous cover Comprising 2 glass clamping plates incl. suspension bolts, continuous bespoke cover and end covers, EV1 or stainless steel optic, up to 80 kg leaf weight, for 8-12 mm toughened safety glass			142368
Glass clamping plate 30 mm set, individually covered Comprising 2 glass clamping plates incl. suspension bolts, individual cover profiles and end covers, up to 80 kg leaf weight, for 8-12 mm toughened safety glass		EV1	142365
		stainless steel optic	142366
		according to RAL	142367
Glass clamping plate 30 mm set, without cover Comprising 2 glass clamping plates incl. suspension bolts, up to 80 kg leaf weight, for 8-12 mm toughened safety glass			142364
Glass clamping plate 45 mm set, without cover Comprising 2 glass clamping plates incl. suspension bolts, up to 140 kg leaf weight, for 8-12 mm toughened safety glass			125586
Glass clamping plate 45 mm set, individually covered Comprising 2 glass clamping plates incl. suspension bolts, individual cover profiles and end covers, up to 140 kg leaf weight, for 8-12 mm toughened safety glass		EV1	125585
		stainless steel optic	134986
		according to RAL	126216
Glass clamping plate 45 mm set, continuous cover Comprising 2 glass clamping plates incl. suspension bolts, continuous bespoke cover and end covers, EV1 or stainless steel optic, up to 140 kg leaf weight, for 8-12 mm toughened safety glass			125588
Accessories			
Cover profile glass clamping plate 30 mm For continuous cover, bespoke		EV1	141695
		stainless steel optic	141696
		according to RAL	141697
Cover profile glass clamping plate 30 mm For continuous cover, 2 profiles	3000 mm	EV1	142371
	3000 mm	stainless steel optic	142372
Cover profile glass clamping plate 30 mm For individual cover of 2 glass clamping plates		EV1	144032
		stainless steel optic	144033
Set of end pieces for glass clamping plate 30 mm 2 end pieces for installation on the outside of the leaf for attachment of the continuous cover and side caps, necessary where the cover projects > 200 mm beyond the glass clamping plate			142373
		EV1	143346
Set for end cover, glass clamping plate 30 mm For 2 glass clamping plates		black	142369
		stainless steel optic	143347
		according to RAL	142370
Clamping insert, glass clamping plate 30 mm For 2 glass clamping plates, for use with 12.7 mm (1/2 inch) ESG			142634
LSG glueing bracket set 30 mm glass clamping plate For use with laminated safety glass in connection with glass clamping plate 30 mm, for 2 clamping plates, without adhesive			142386
LSG glass / metal glue 50 g for up to 30 doors			133039
LSG glass / metal glue 5x1 g for up to 5 doors			133056
Cover profile glass clamping plate 45 mm For continuous cover, bespoke		EV1	127628
		stainless steel optic	135033
		according to RAL	126108
Cover profile glass clamping plate 45 mm For continuous cover, 1 profile	3000 mm	EV1	126107
	3000 mm	stainless steel optic	135034
Set of end pieces for glass clamping plate 45 mm 2 end pieces for installation on the outside of the leaf for attachment of the continuous cover and side caps			133740
		EV1	137359
Set for end cover, glass clamping plate 45 mm For 2 glass clamping plates		black	125582
		stainless steel optic	137360
		according to RAL	127498
Clamping insert glass clamping plate 45 mm for 2 glass clamping plates, for use with 12.7 mm (1/2 inch) toughened safety glass			133022
LSG glueing bracket set For use with laminated safety glass in connection with glass clamping plate 45 mm, for 2 clamping plates, without adhesive			133099